

Vacuum Oven

SVO-5-VC

PART ID: CTVR522-H

CASCADE™
TEK

Capacity	4.88 cu.ft. (138 liters)
Interior Dimensions (W x D x H)	18" x 26" x 18" 457 x 660 x 457 mm
Exterior Dimensions (W x D x H)	28.8" x 46.5" x 64.6" 732 x 1182 x 1640 mm
Unit Weight	760 lb (345 kg)
Shipping Weight	1078 lb (489 kg)
Shelves	3 Anodized Aluminum Standard, 6 Maximum
Maximum Weight Per Shelf	50 lb / 22.7 kg
Permitted Total Load	200 lb / 90.7 kg
Standard Door Gasket	Viton Standard
Access Port	1 -KF25
Controls	Watlow F4T
Warranty	2 Year Limited Warranty
Interior Construction	300 series stainless steel
Exterior Construction	20 gauge steel, powder coated
Wall Clearance, Each Side	6.0" (152 mm)
Wall Clearance, Rear	12.0" (305 mm)
Vertical Clearance	12.0" (305 mm)
Electrical, 50/60Hz, AC, 1Ø	
Voltage	220V-240V
Power Current (Max Draw) Amps	20
Nominal Power (watts @150°C)	680
Direct Hardwired	✓
Energy Consumption (kWh/day)	
At 80°C	9.22
At 150°C	16.34
At 220°C	26.3
Temperature Range	
	Ambient 10°C to 220°C
Heat-Up Time — Minutes to 80°C	68
Heat-Up Time — Minutes to 150°C	125
Heat-Up Time — Minutes to 220°C	177
Operation Vacuum Range	
	760 Torr to Less than 10 mTorr
Temperature Uniformity	
	+/- 6% of Set Point
Temperature Stability	
	+/- 0.2°C @ 150°C
Vacuum Display Range	
	1100 to 0.1 mTorr



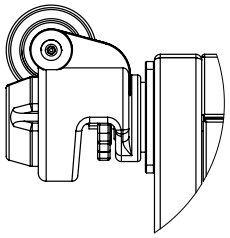
MADE IN
USA



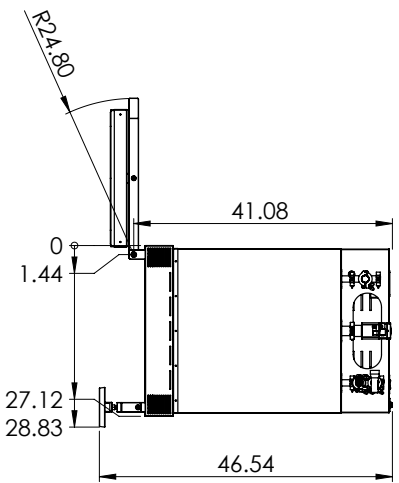
We reserve the right to alter specifications at any time.

0740648 6/22

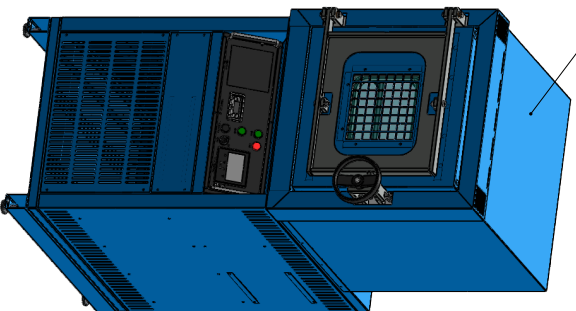
Contact Cascade TEK
sales@cascadetek.com • cascadetek.com • +1-971-371-4096



OPTIONAL CASTERS ADD
0.75 IN TO OVERALL HEIGHT
DETAIL A
SCALE 1 : 4

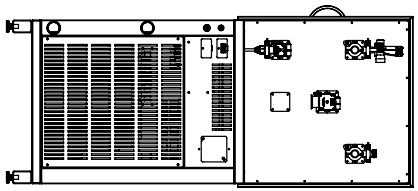


Top View

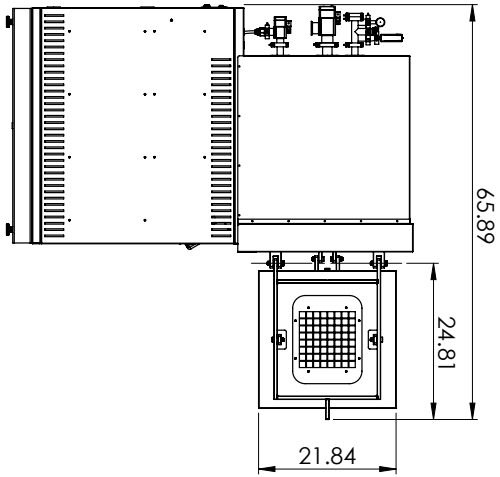


EXTERIOR MATERIAL:
COLD ROLLED STEEL
POWDER COATED

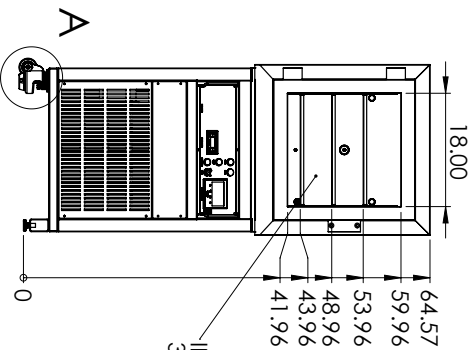
INTERNAL MATERIAL:
300 SERIES STAINLESS STEEL



Back View



Side View



Front View (Door Not Shown)



CASCADE

Cascade TEK Solutions, Inc. 4001
East Plano Parkway, Ste 200
Plano, TX 75074
www.cascadetek.com

PROPRIETARY AND CONFIDENTIAL
DRAWINGS AND SPECIFICATIONS OF THIS
DOCUMENT ARE THE PROPERTY OF CASCADE
TEK SOLUTIONS, INC. AND SHALL REMAIN THE
PROPERTY OF CASCADE TEK SOLUTIONS, INC.
PART OR AS A WHOLE WITHOUT THE
WRITTEN PERMISSION OF Cascade Mfg.

DATE	NAME	DRAWN
1/15/2020	GT	GT

MODEL:

SVO-5-VC

SIZE	DWG. NO.	REV
B	9101005	A

SCALE: 1:20 WEIGHT:

SHEET 1 OF 4