

Vacuum Oven

TVO-2-SV

PART ID: CTVS222

CASCADE™

TEK

Capacity	1.67 cu.ft. (47.2 liters)
Interior Dimensions (W x D x H)	12" x 20" x 12" 304 x 508 x 304 mm
Exterior Dimensions (W x D x H)	24.6" x 35.0" x 26.3" 625 x 889 x 667 mm
Unit Weight	183 lb (83 kg)
Shipping Weight	224 lb (102 kg)
Shelves	3 standard, 3 total
Maximum Weight Per Shelf	35 lb / 15.8 kg
Permitted Total Load	105 lb / 47.6 kg
Standard Door Gasket	Silicone
Access Port	1" vacuum port (KF25)
Controls	Watlow EZ-ZONE
Warranty	2 Year Limited Warranty
Interior Construction	300 series stainless steel
Exterior Construction	20 gauge steel, powder coated
Wall Clearance, Each Side	6.0" (152 mm)
Wall Clearance, Rear	12.0" (305 mm)
Vertical Clearance	12.0" (305 mm)
Electrical, 50/60Hz, AC, 1Ø	
Voltage	110V-120V
Full Load Amps	10
Nominal Power (watts @150°C)	662
NEMA Plug Supplied	5-15P
Energy Consumption (kWh/day)	
At 80°C	12.8
At 150°C	15.4
At 220°C	24.4
Temperature Range 10°C above ambient to 220°C	
Heat-Up Time — Minutes to 80°C	70
Heat-Up Time — Minutes to 150°C	120
Heat-Up Time — Minutes to 220°C	175
Temperature Uniformity	+/- 6% of Set Point
Temperature Stability	+/- 0.2°C @ 150°C
Vacuum Display Range	1100 to 0.1 mTorr
Safety Certifications	UL 61010-1, EN 61010-1, CSA 61010-1, CE



MADE IN
USA



C US CE

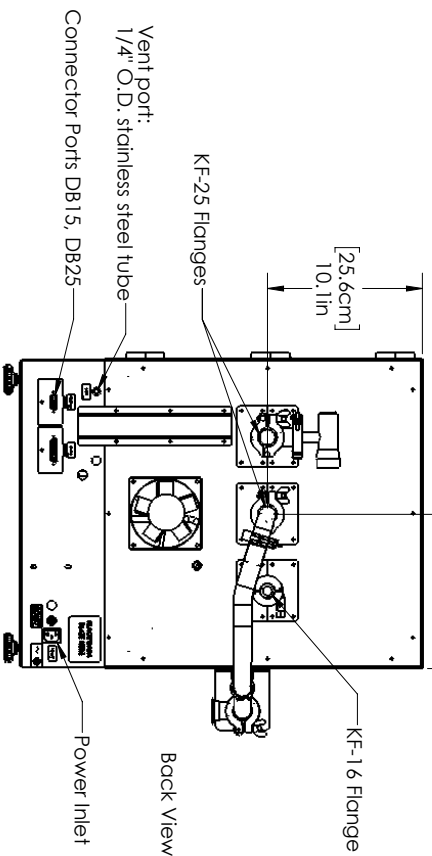
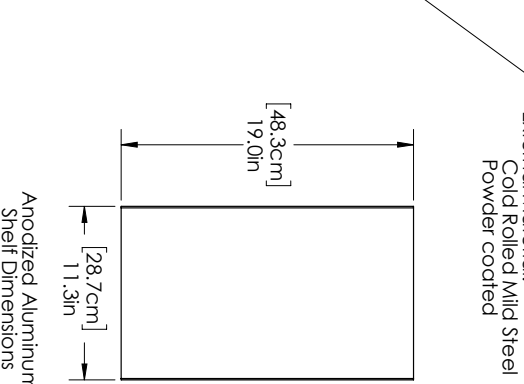
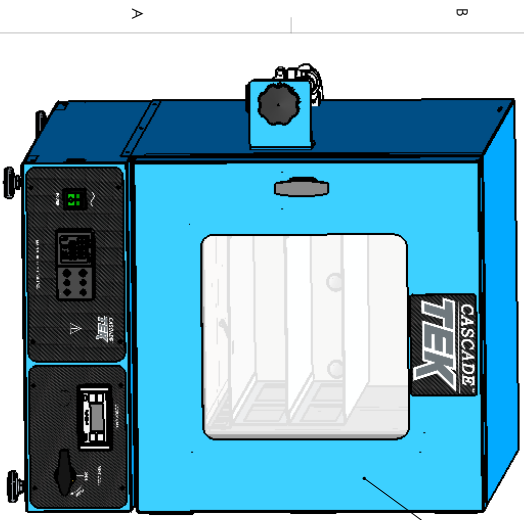
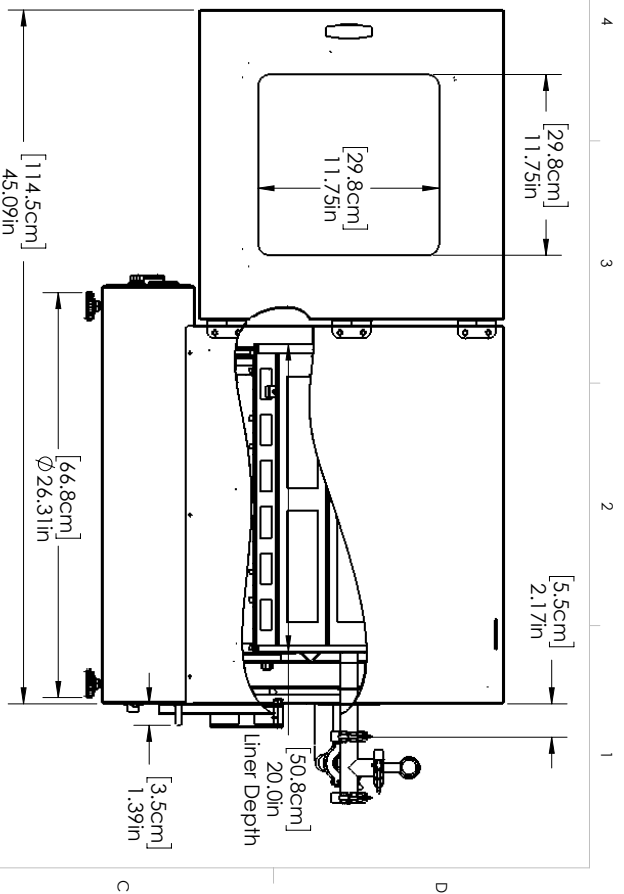
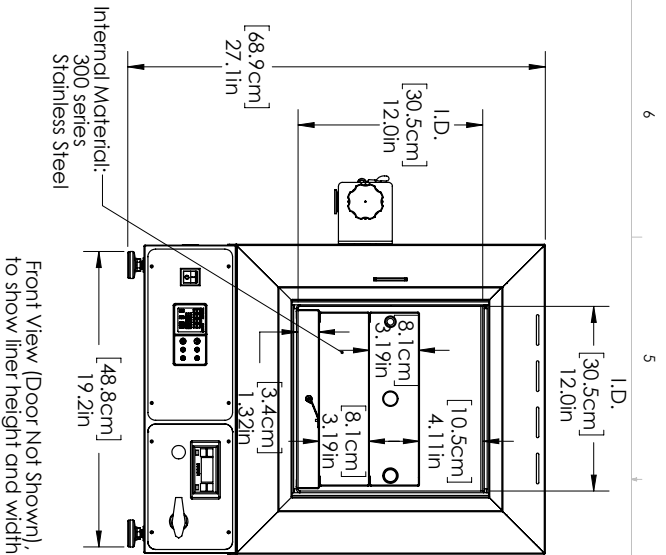
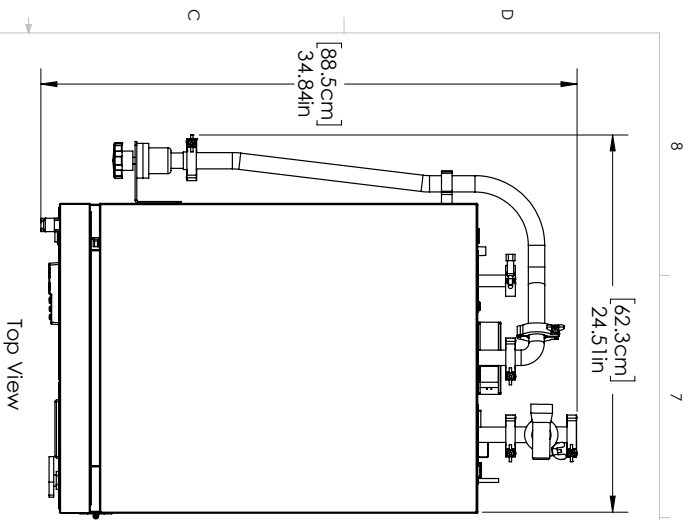


We reserve the right to change specifications at any time

0740590 1/19

Contact Cascade TEK

Email: sales@cascadetek.com • Website: www.cascadetek.com • Phone: +1-971-371-4096



		Cascade TEK Solutions, LLC 300 N 26th Ave Cornelius, OR 97113 www.cascadetek.com	
		NAME: GFB DATE: 10/20/2017	MODEL: TWO-2-SV
THE INFORMATION CONTAINED IN THIS DRAWING IS THE PROPERTY OF CASCADE TEK SOLUTIONS, LLC. ANY REPRODUCTION IN WRITING OR BY ANY MEANS WITHOUT THE WRITTEN PERMISSION OF CASCADE TEK SOLUTIONS, LLC IS PROHIBITED.		SIZE: B DWG. NO.: 9100947	REV:
SCALE: 1:8		WEIGHT:	SHEET 1 OF 1