

Vacuum Oven

TVO-2
PART ID: CTV222



Capacity	1.67 cu.ft. (47.2 liters)
Interior Dimensions (W x D x H)	12" x 20" x 12" 304 x 508 x 304 mm
Exterior Dimensions (W x D x H)	20.5" x 31.0" x 26.3" 521 x 788 x 667 mm
Unit Weight	179 lb (81 kg)
Shipping Weight	218 lb (99 kg)
Shelves	3 standard, 3 total
Maximum Weight Per Shelf	35 lb / 15.8 kg
Permitted Total Load	105 lb / 47.6 kg
Standard Door Gasket	Silicone Standard
Access Port	1" vacuum port (KF25)
Controls	Watlow EZ-ZONE
Warranty	2 Year Limited Warranty
Interior Construction	300 series stainless steel
Exterior Construction	20 gauge steel, powder coated
Wall Clearance, Each Side	6.0" (152 mm)
Wall Clearance, Rear	12.0" (305 mm)
Vertical Clearance	12.0" (305 mm)
Electrical, 50/60Hz, AC, 1Ø	
Voltage	110V-120V
Full Load Amps	10
Nominal Power (watts @150°C)	662
NEMA Plug Supplied	5-15P
Energy Consumption (kWh/day)	
At 80°C	12.8
At 150°C	15.4
At 220°C	24.4
Temperature Range 10°C above ambient to 220°C	
Heat-Up Time— Minutes to 80°C	70
Heat-Up Time — Minutes to 150°C	120
Heat-Up Time — Minutes to 220°C	175
Temperature Uniformity	+/- 6% of Set Point
Temperature Stability	+/- 0.2°C @ 150°C
Operational Vacuum Range	-3.0 to -29.9 InHg
Vacuum Display Range	0-29.9 InHg
Safety Certifications	UL 61010-1, EN 61010-1, CSA 61010-1, CE



C US CE

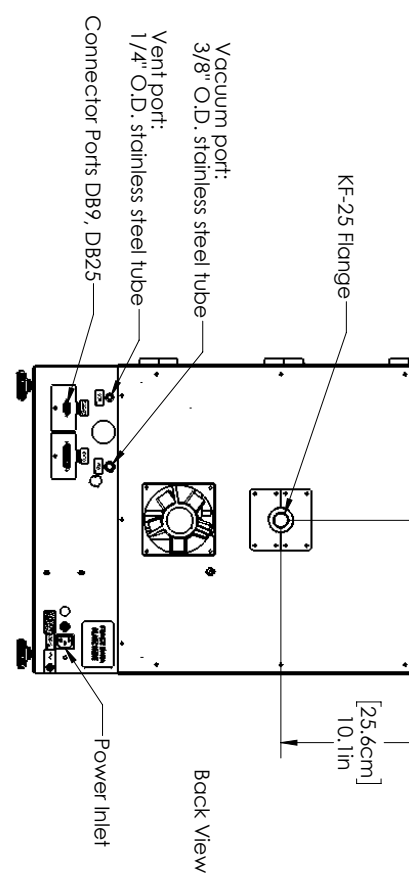
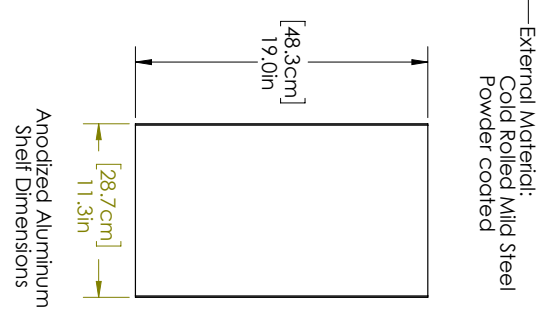
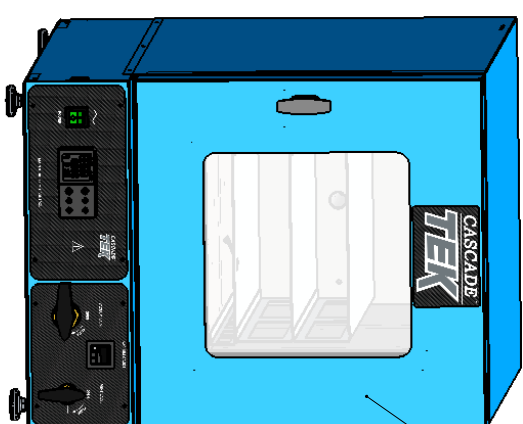
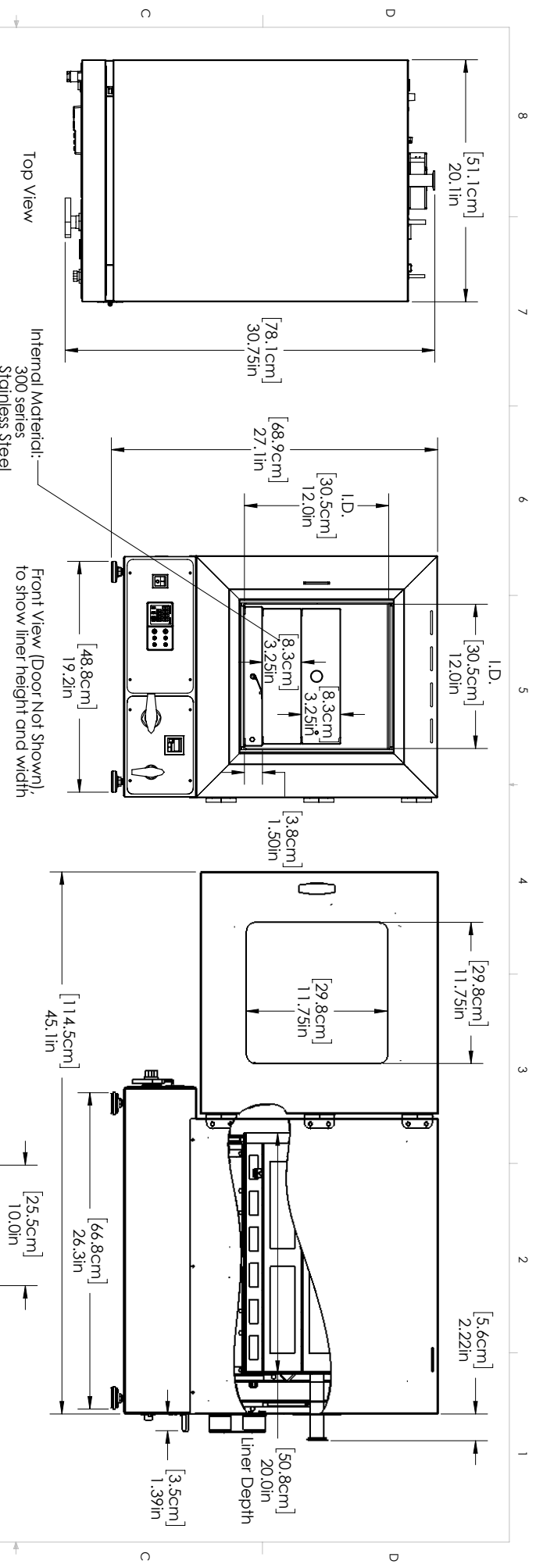


0740582 1/19

We reserve the right to change specifications at any time

Contact Cascade TEK

Email: sales@cascadetek.com • Website: www.cascadetek.com • Phone: +1-971-371-4096



		CASCADE TEK Solutions, LLC 300 N 26th Ave Cornelius, OR 97113 www.cascadetek.com	
DRAWN GRS	NAME GRS	DATE 12/12/2016	MODEL: TVO-2
THE INFORMATION CONTAINED IN THIS SHEET IS UNCLASSIFIED EXCEPT WHERE SHOWN OTHERWISE. ANY REPRODUCTION IN WHOLE OR IN PART IS PROHIBITED.			SIZE B
SCALE: 1:8		DWG. NO. 9100905	WEIGHT:
SHEET 1 OF 1		REV	