

## 4 Technical Data

### 4.1 Dimensions

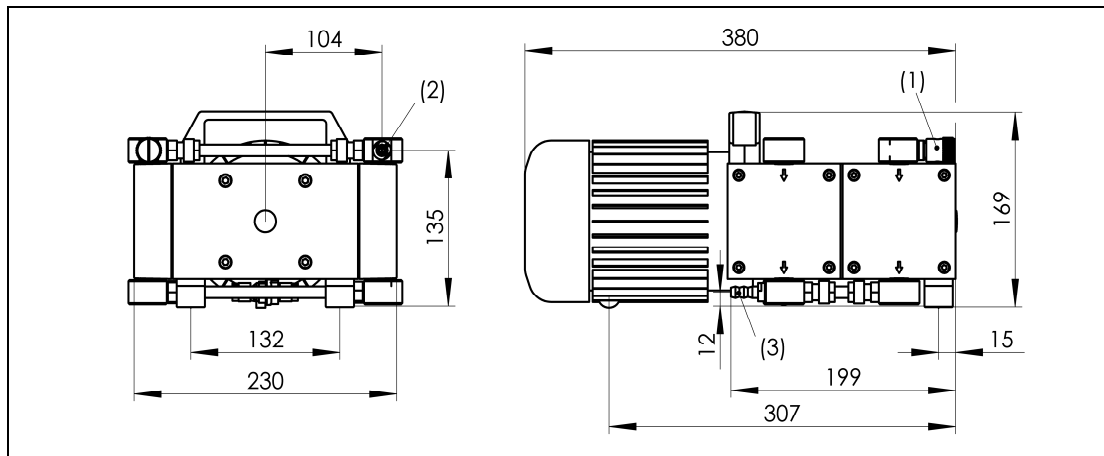


Fig. 3 Dimensions (Model 2052)

### 4.2 Device Data

Parameter	Unit	Diaphragm pump - models	
		2054 (two-stage)	2052 (three-stage)
Free Air Displacement @ 60 Hz	CFM	3.5	2.3
	L / min	100	65
Ultimate pressure		8 (6)	2 (1.5)
Ultimate pressure with gas ballast valve (1)	mbar (Torr)	18	9
Max. inlet pressure	bar	1	
Max. outlet pressure		1	
IN - Intake connection (2)	standard	Small flange DN 16 KF	
	optional	Hose nozzle DN 8 for hose inside diameter 8 mm (enclosed)	
EX - Exhaust connection (3)	standard	Hose nozzle DN 8 for hose inside diameter 8 mm	
Ambient temperature	°C	+ 10 to + 40	
Max. operating gas temperature		+ 60	
Bearing	-	maintenance-free	
Reference surface sound pressure level DIN 45635 part 13	dB (A)	< 44	
Voltage	V	230; 115 (generally with motor protection switch, switch and cable)	
Frequency	Hz	50/60	
Power	W	370	
Operating mode		S 1	
Type of protection DIN EN 60529	-	IP 54	
Motor / Class of insulation DIN EN 60034-1		F (160°C)	
Weight	kg	18.3	
Dimensions (W/D/H) (without connections)	mm	230 / 380 / 169	
Order numbers for Diaphragm pumps inclusive mains connection cables IEC with:	-		
- 230 V Schuko and UK plug		2054C-02	2052C-02
- 115 V American plug		2054B-01	2052B-01

The information presented in this material is based on technical data and test results of nominal units. It is believed to be accurate and reliable and is offered as an aid to help in the selection of Welch-Ilmvac products. It is the responsibility of the user to determine the suitability of the product for the intended use and the user assumes all risk and liability whatsoever in connection therewith. Welch-Ilmvac does not warrant, guarantee or assume any obligation or liability in connection with this information.