

Vacuum Oven

SVO-10-T

PART ID: CTVT1022-H



Capacity	10.6 cu.ft. (300 liters)
Interior Dimensions (W x D x H)	28.8" x 26" x 24.5" 730 x 660 x 622 mm
Exterior Dimensions (W x D x H)	38.8" x 53" x 75.8" 986 x 1346 x 1925 mm
Unit Weight	-
Shipping Weight	1679 lb (762 kg)
Shelves	3 SST standard, 8 Maximum
Maximum Weight Per Shelf	50 lb / 22.7 kg
Permitted Total Load	200 lb / 90.7 kg
Standard Door Gasket	Viton
Access Port	1" KF25, 2.75" Conflat
Controls	Watlow F4T, PLC
Warranty	2 Year Limited Warranty
Interior Construction	304 series stainless steel
Exterior Construction	20 gauge steel, powder coated
Wall Clearance, Each Side	6.0" (152 mm)
Wall Clearance, Rear	12.0" (305 mm)
Vertical Clearance	12.0" (305 mm)
Electrical, 50/60Hz, AC, 1Ø	
Voltage	220V-240V
Power Current (Max Draw) Amps	30
Nominal Power (watts @150°C)	-
Direct Hardwire	✓
Energy Consumption (kWh/day)	
At 80°C	-
At 150°C	-
At 220°C	-
Temperature Range	Ambient +10°C to 220°C
Heat Up Time	
Minutes to 80°C	-
Minutes to 150°C	-
Minutes to 220°C	-
Operation Vacuum Range	<1.0 x 10 ⁻⁶ Torr
Temperature Uniformity	+/- 6% of Set Point
Temperature Stability	+/- 0.2°C @ All Temps
Vacuum Display Range	3.8 x 10 ⁻¹⁰ Torr
Safety Certifications	UL 61010-1, EN 61010-1, CSA 61010-1, CE



MADE IN
USA



CE C US

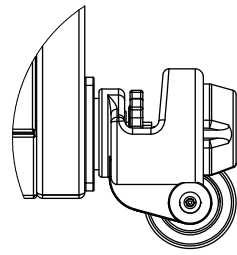


PN: 0740649
6/21

We reserve the right to alter specifications at any time.

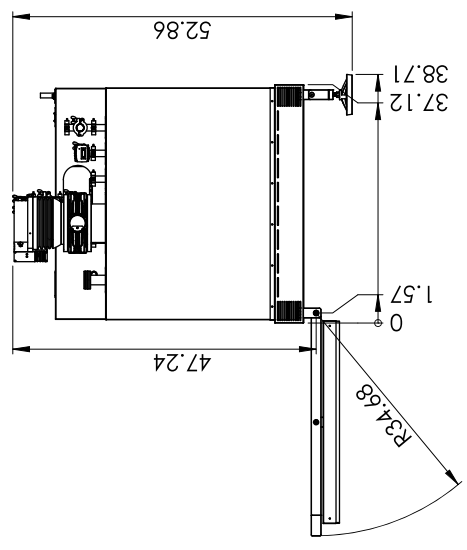
Contact Cascade TEK

sales@cascadetek.com • cascadetek.com • +1-971-371-4096

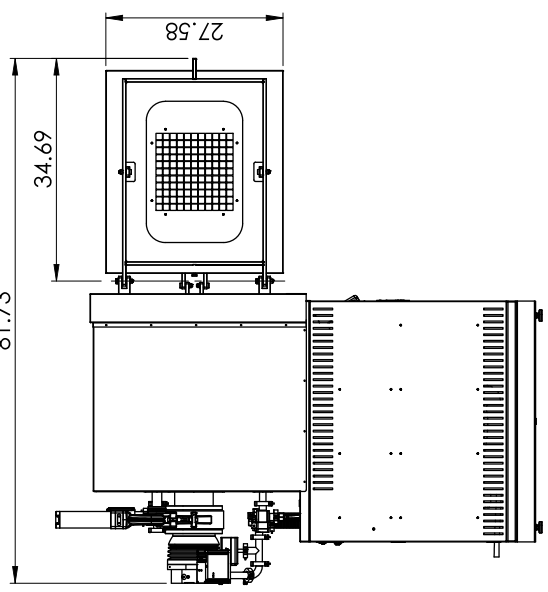


OPTIONAL CASTERS ADD
0.75 IN TO OVER ALL HEIGHT

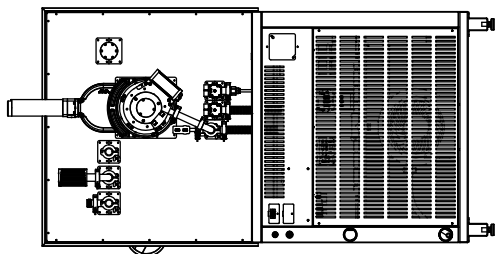
DETAIL A
SCALE 1 : 4



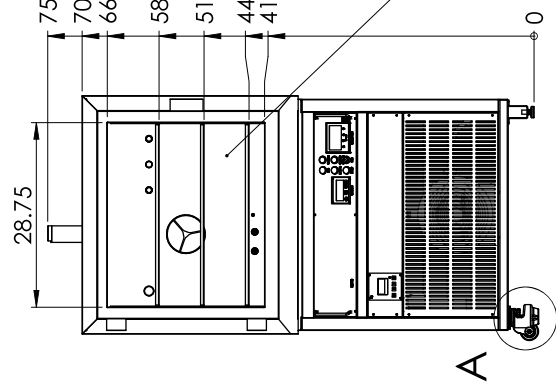
Top View



Side View



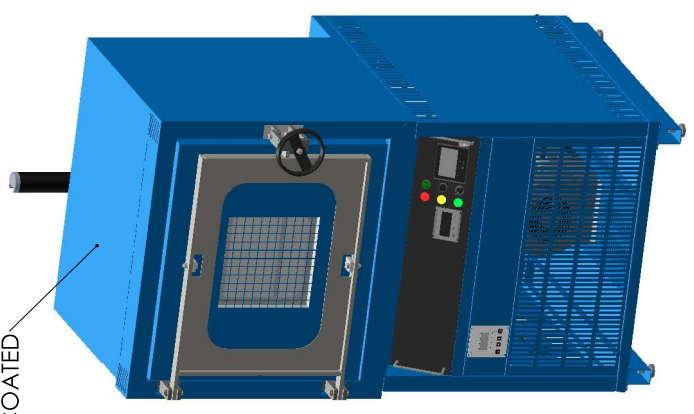
Back View



Front View (Door Not Shown)

EXTERNAL MATERIAL:
COLD ROLLED STEEL
POWDER COATED

INTERNAL MATERIAL:
300 SERIES STAINLESS STEEL



DRAWN		NAME	DATE	MODEL
GT			2/5/2020	SVO-10-T
<p>PROPRIETARY AND CONFIDENTIAL</p> <p>THE INFORMATION CONTAINED IN THIS DRAWING IS THE SOLE PROPERTY OF CASCADE TEK. ANY REPRODUCTION IN WHOLE OR IN PART WITHOUT THE WRITTEN PERMISSION OF SHORON YEG. IS PROHIBITED.</p>				
SIZE	DWG. NO.	REV		
B	9101017			
SCALE:	1:20	WEIGHT:		
SHEET 1 OF 4				



Cascade TEK Solutions, Inc.
2010 Century Center Blvd, Ste 21
Irving, Texas 75062
www.cascadetek.com