

Vacuum Oven

SVO-10-T

PART ID: CTVT1022-H

CASCADE™
TEK

Capacity	10.6 cu.ft. (300 liters)
Interior Dimensions (W x D x H)	28.8" x 26" x 24.5" 730 x 660 x 622 mm
Exterior Dimensions (W x D x H)	38.8" x 53" x 75.8" 986 x 1346 x 1925 mm
Unit Weight	-
Shipping Weight	1679 lb (762 kg)
Shelves	3 SST standard, 8 Maximum
Maximum Weight Per Shelf	50 lb / 22.7 kg
Permitted Total Load	200 lb / 90.7 kg
Standard Door Gasket	Viton
Access Port	1" KF25, 2.75" Conflat
Controls	Watlow F4T, PLC
Warranty	2 Year Limited Warranty
Interior Construction	304 series stainless steel
Exterior Construction	20 gauge steel, powder coated
Wall Clearance, Each Side	6.0" (152 mm)
Wall Clearance, Rear	12.0" (305 mm)
Vertical Clearance	12.0" (305 mm)
Electrical, 50/60Hz, AC, 1Ø	
Voltage	220V-240V
Power Current (Max Draw) Amps	30
Nominal Power (watts @150°C)	-
Direct Hardwire	✓
Energy Consumption (kWh/day)	
At 80°C	-
At 150°C	-
At 220°C	-
Temperature Range	Ambient +10°C to 220°C
Heat Up Time	
Minutes to 80°C	-
Minutes to 150°C	-
Minutes to 220°C	-
Operation Vacuum Range	<1.0 x 10 ⁻⁶ Torr
Temperature Uniformity	+/- 6% of Set Point
Temperature Stability	+/- 0.2°C @ All Temps
Vacuum Display Range	3.8 x 10 ⁻¹⁰ Torr
Safety Certifications	UL 61010-1, EN 61010-1, CSA 61010-1, CE



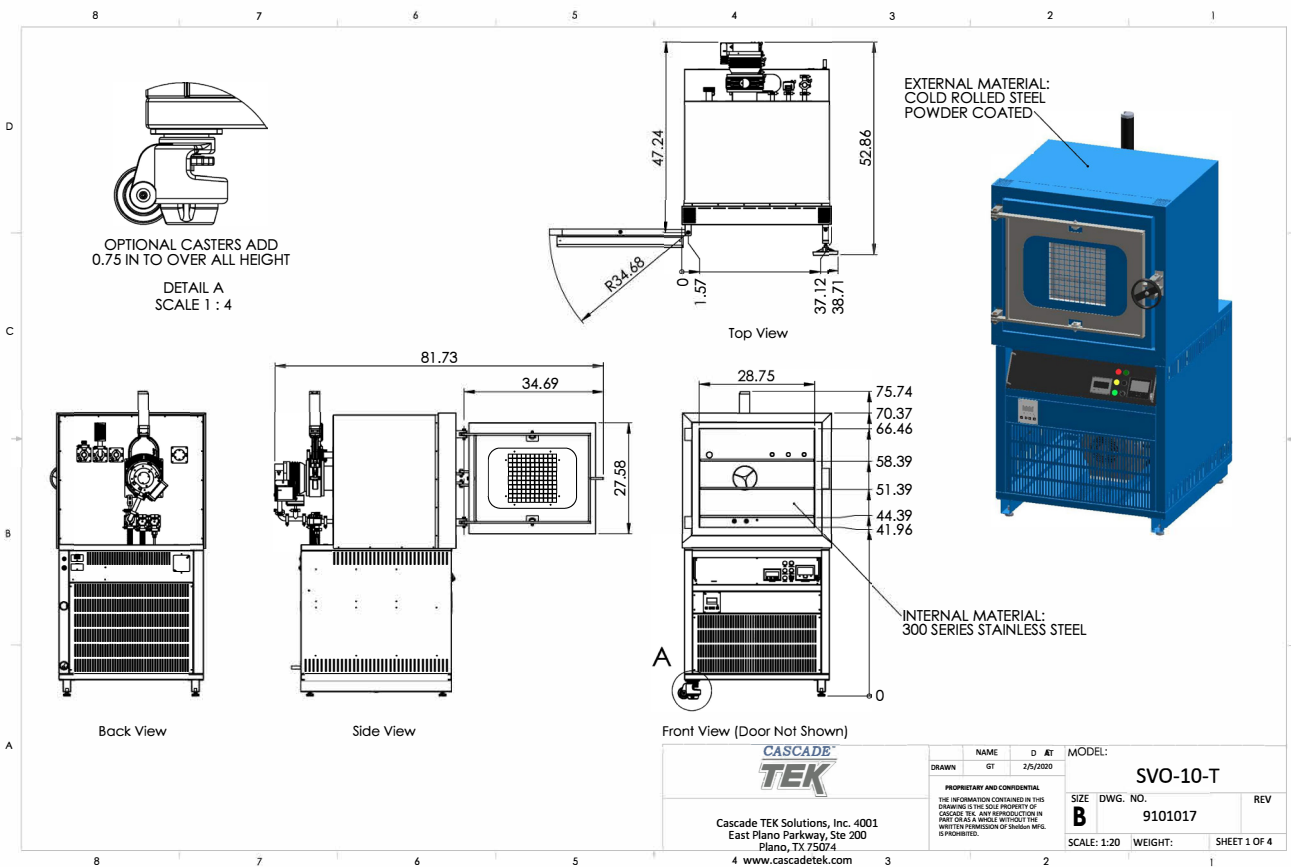
MADE IN
USA



We reserve the right to alter specifications at any time.

PN: 0740649 6/22

Contact Cascade TEK
sales@cascadetek.com • cascadetek.com • +1-971-371-4096



Cascade TEK Solutions, Inc. 4001
 East Plano Parkway, Ste 200
 Plano, TX 75074
 4 www.cascadetek.com

NAME: GT
 D: 2/5/2020
 AT:
 DRAWN:
 PROPRIETARY AND CONFIDENTIAL
 THE INFORMATION CONTAINED IN THIS
 DRAWING IS THE SOLE PROPERTY OF
 CASCADE TEK. ANY REPRODUCTION IN
 WHOLE OR IN PART WITHOUT THE
 WRITTEN PERMISSION OF CASCADE TEK
 IS PROHIBITED.

MODEL:		SVO-10-T	
SIZE	DWG. NO.	REV	
B	9101017		
SCALE: 1:20	WEIGHT:	SHEET 1 OF 4	