

Vacuum Oven

SVO-10-VC

PART ID: CTVR1022-H



Capacity	10.60 cu.ft. (300 liters)
Interior Dimensions (W x D x H)	28.8" x 26" x 24.5" 730 x 660 x 622 mm
Exterior Dimensions (W x D x H)	38.7" x 46.8" x 70.3" 983 x 1189 x 1787 mm
Shipping Weight	1679 lb (762 kg)
Shelves	3 standard, 7 maximum
Standard Door Gasket	Viton Standard
Access Port	1" vacuum port (KF25)
Controls	Watlow F4T
Warranty	2 Year Limited Warranty
Interior Construction	300 series stainless steel
Exterior Construction	20 gauge steel, powder coated
Wall Clearance, Each Side	6.0" (152 mm)
Wall Clearance, Rear	12.0" (305 mm)
Vertical Clearance	12.0" (305 mm)
Electrical, 50/60Hz, AC, 1Ø	
Voltage	220V-240V
Full Load Amps	5.5
Nominal Power (watts @150°C)	750
Direct Hardwire	✓
Energy Consumption (kWh/day)	
At 80°C	-
At 150°C	-
At 220°C	-
Temperature Range 10°C above ambient to 220°C	
Heat-Up Time — Minutes to 80°C	-
Heat-Up Time — Minutes to 150°C	350
Heat-Up Time — Minutes to 220°C	-
Operation Vacuum Range	Pump Dependent
Temperature Uniformity	+/- 6% of Set Point
Temperature Stability	+/- 0.2°C @ 150°C
Vacuum Display Range	3.8e-10 Torr
Safety Certifications	UL 61010-1, EN 61010-1, CSA 61010-1, CE



MADE IN
USA



CE C US

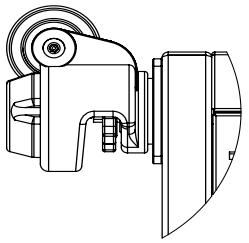
We reserve the right to alter specifications at any time.



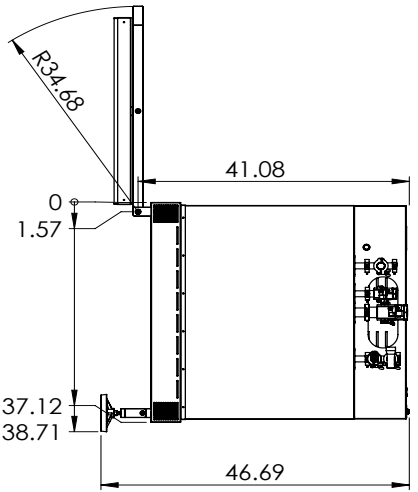
0740617 10/20

Contact Cascade TEK

sales@cascadetek.com • cascadetek.com • +1-971-371-4096

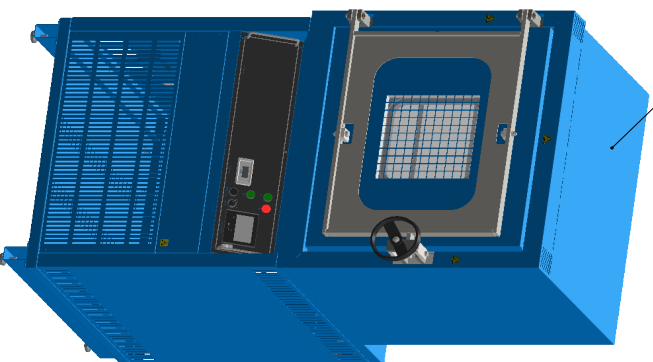


OPTIONAL CASTERS ADD
0.75 IN TO OVER ALL HEIGHT
DETAIL A
SCALE 1 : 4

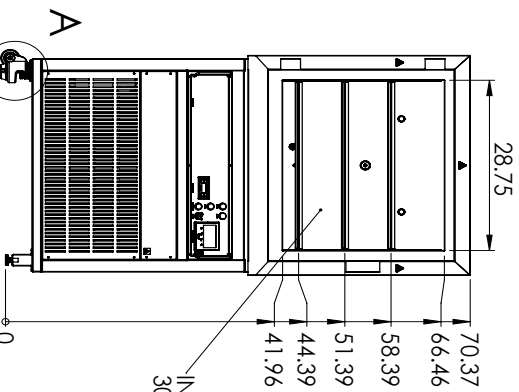


Top View

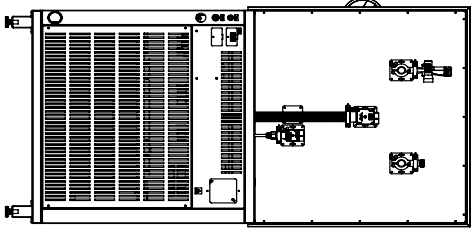
EXTERNAL MATERIAL:
COLD ROLLED STEEL
POWDER COATED



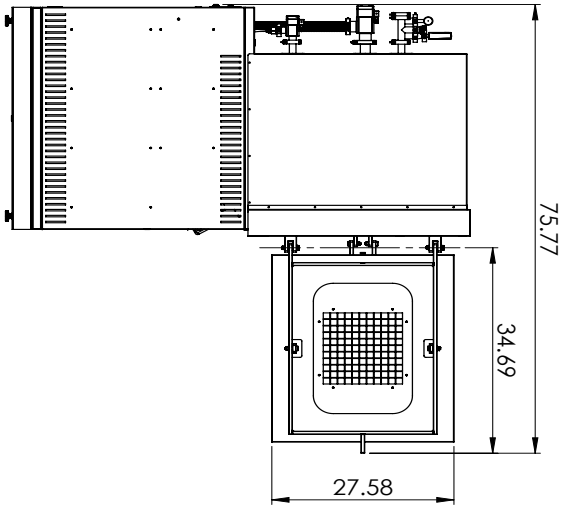
INTERNAL MATERIAL:
300 SERIES STAINLESS STEEL



Front View (Door Not Shown)



Back View



Side View



Cascade TEK Solutions, Inc.
2010 Century Center Blvd, Ste 21
Irving, Texas 75062
www.cascadetek.com

NAME	DATE
DRAWN GT	12/28/2019

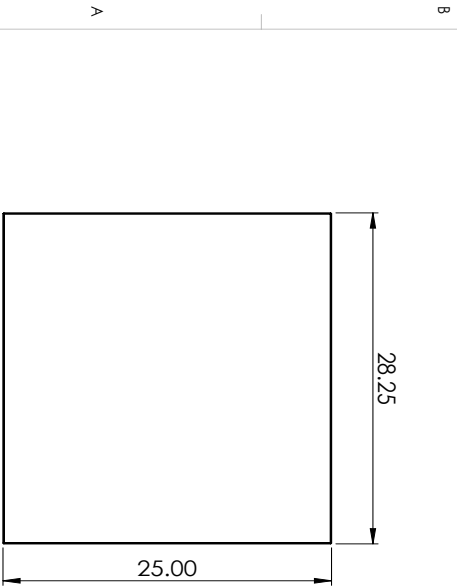
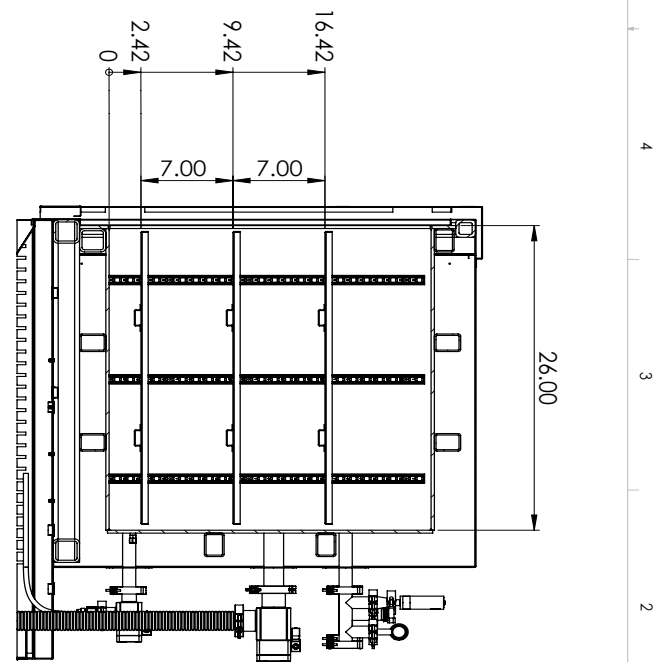
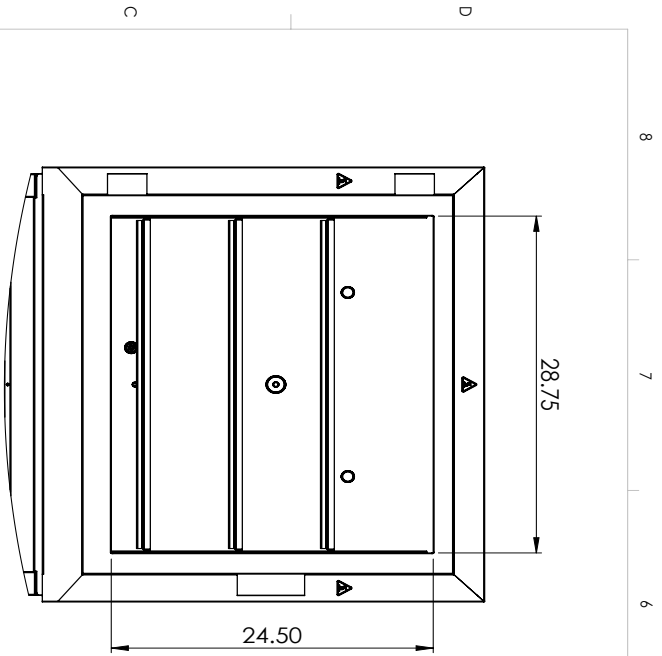
PROPRIETARY AND CONFIDENTIAL
THE INFORMATION CONTAINED IN THIS DRAWING IS THE SOLE PROPERTY OF CASCADE TEK SOLUTIONS, INC. NO PART OF THIS DRAWING IS TO BE REPRODUCED OR TRANSMITTED IN ANY FORM OR BY ANY MEANS, WITHOUT THE WRITTEN PERMISSION OF SHERRILL WEG. IS FURNISHED.

MODEL: SVO-10-VC

SIZE DWG. NO. B 9101012

REV

SCALE: 1/20 WEIGHT: SHEET 1 OF 4



<p>CASCADE TEK Solutions, Inc. 2010 Century Center Blvd, Ste 21 Irving, Texas 75062 www.cascadetek.com</p>		PROPRIETARY AND CONFIDENTIAL THE INFORMATION CONTAINED IN THIS DRAWING IS THE SOLE PROPERTY OF CASCADE TEK. ANY REPRODUCTION OR TRANSMISSION IN ANY FORM OR BY ANY MEANS WITHOUT PERMISSION OF Sheldon Mfg. IS PROHIBITED.	DRAWN: GT NAME: GT DATE: 12/18/2019	MODEL: SVO-10-VC
		SIZE: B DWG. NO.: 9101012 SCALE: 1:10 WEIGHT:	REV:	SHEET 2 OF 4