

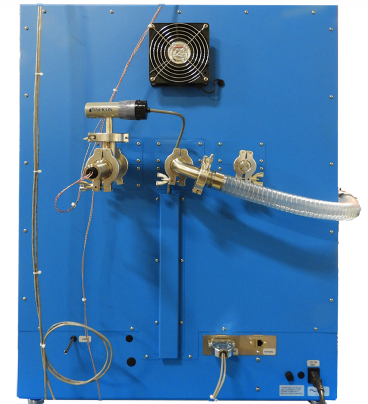
# Vacuum Oven

## TVO-5-SV

PART ID: CTVS522

# CASCADE™ TEK

Capacity	4.5 cu.ft. (127.4 liters)
Interior Dimensions (W x D x H)	18.1" x 24.1" x 18.1" 459 x 612 x 459 mm
Exterior Dimensions (W x D x H)	31.1" x 38.6" x 33.2" 790 x 981 x 844 mm
Unit Weight	365 lb (166 kg)
Shipping Weight	460 lb (209 kg)
Shelves	3 standard, 6 total
Maximum Weight Per Shelf	35 lb / 15.8 kg
Permitted Total Load	105 lb / 47.6 kg
Standard Door Gasket	Silicone Standard
Access Port	1" vacuum port (KF-25)
Controls	Watlow F4T
Warranty	2 Year Limited Warranty
Interior Construction	300 series stainless steel
Exterior Construction	Painted Cold Roll Steel
Wall Clearance, Each Side	6.0" (152 mm)
Wall Clearance, Rear	12.0" (305 mm)
Vertical Clearance	12.0" (305 mm)
<b>Electrical, 50/60Hz, AC, 1Ø</b>	
Voltage	110V-120V
Full Load Amps	13
Nominal Power (watts @150°C)	835
Plug Supplied	NEMA 5-15P
<b>Energy Consumption (kWh/day)</b>	
At 80°C	13.2
At 150°C	19.4
At 220°C	30.8
<b>Temperature Range 10°C above ambient to 220°C</b>	
Heat-Up Time — Minutes to 80°C	70
Heat-Up Time — Minutes to 150°C	120
Heat-Up Time — Minutes to 220°C	175
Temperature Uniformity	+/- 6% of Set Point
Temperature Stability	+/- 0.25°C @ 150°C
Operational Vacuum Range	720 to less than 20 mTorr @ 150°C
Vacuum Display Range	1100 to 0.1 mTorr
Safety Certifications	UL 61010-1, EN 61010-1, CSA 61010-1, CE



MADE IN  
USA



C US CE

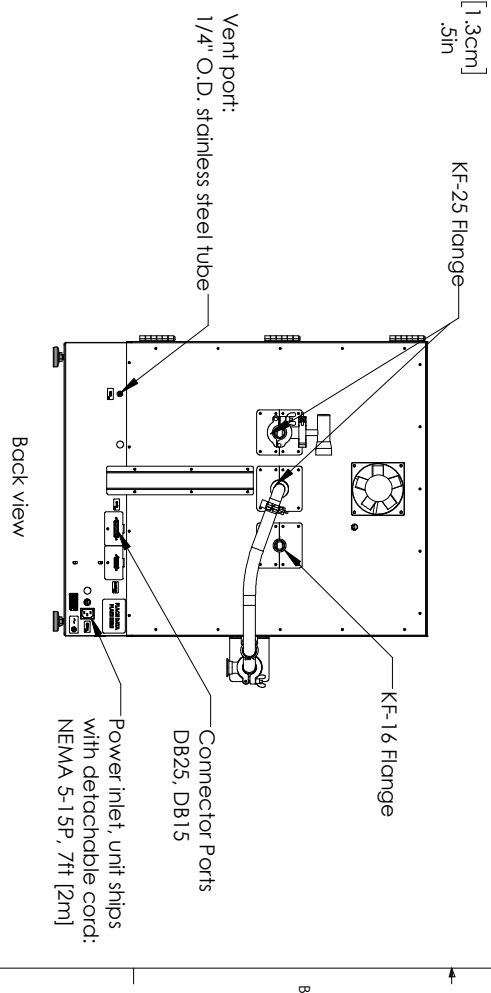
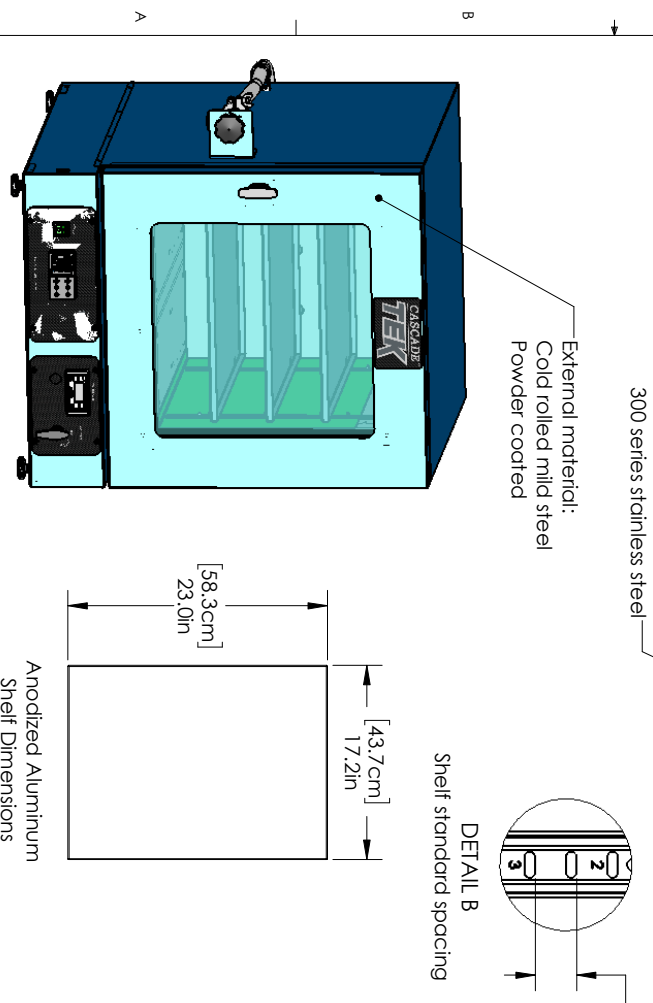
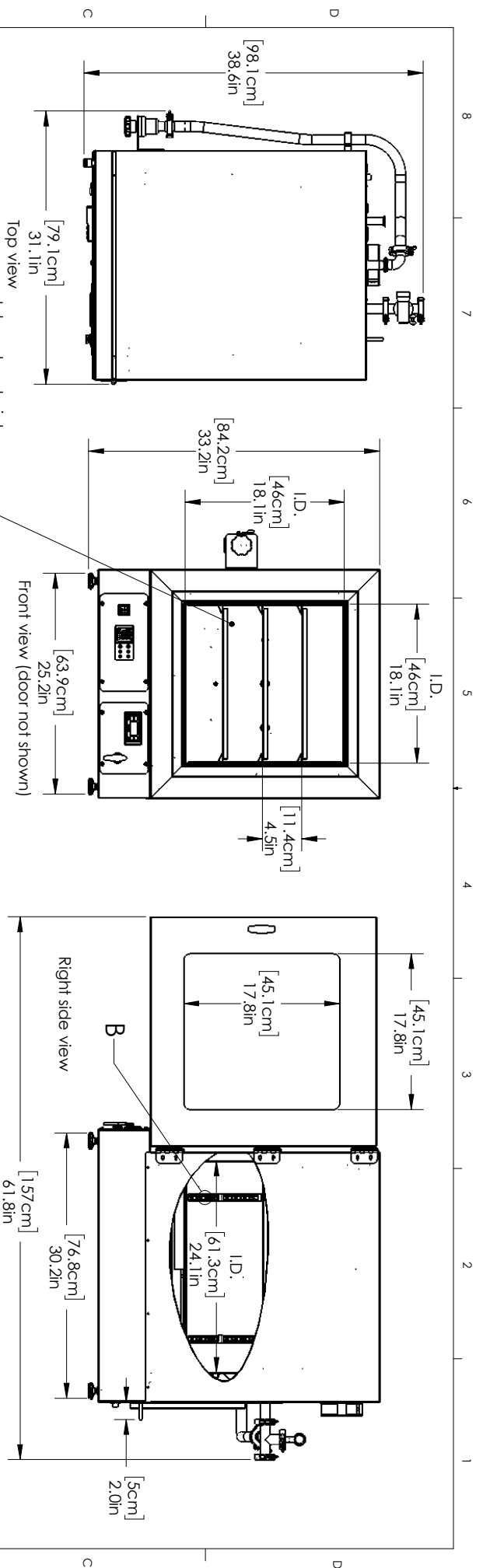


*We reserve the right to alter specifications at any time*

0740592 1/21

Contact Cascade TEK

sales@casca detek.com • casca detek.com • +1-971-371-4096



		<b>CASCADE TEK Solutions, LLC</b> 300 N 26th Ave Cornelius, OR 97113 www.cascadetek.com	
PROPRIETARY AND CONFIDENTIAL THE INFORMATION CONTAINED IN THIS DRAWING IS THE SOLE PROPERTY OF AN EMPLOYEE OF CASCADE TEK SOLUTIONS, LLC. NO PART OF THIS DRAWING IS TO BE REPRODUCED OR TRANSMITTED IN ANY FORM OR BY ANY MEANS, WITHOUT THE WRITTEN PERMISSION OF Cascade TEK Solutions, LLC.	DRAWN RI	NAME RI	DATE 4/5/2017
MODEL: <b>TVO-5-SV</b>	SIZE <b>B</b>	DWG. NO. 9100951	REV
SCALE: 1:1	WEIGHT:	SHEET 1 OF 1	