

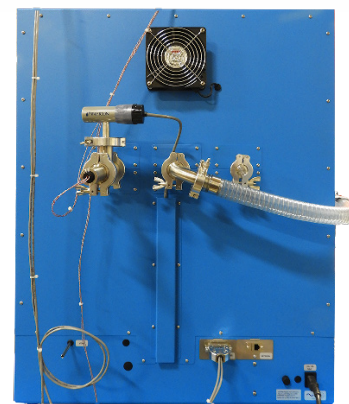
Vacuum Oven

TVO-5-SV

PART ID: CTVS523



| | |
|--|---|
| Capacity | 4.5 cu.ft. (127.4 liters) |
| Interior Dimensions (W x D x H) | 18.1" x 24.1" x 18.1" 459 x 612 x 459 mm |
| Exterior Dimensions (W x D x H) | 31.1" x 38.6" x 33.2" 790 x 981 x 844 mm |
| Unit Weight | 365 lb (166 kg) |
| Shipping Weight | 460 lb (209 kg) |
| Shelves | 3 standard, 6 total |
| Maximum Weight Per Shelf | 35 lb / 15.8 kg |
| Permitted Total Load | 105 lb / 47.6 kg |
| Standard Door Gasket | Silicone Standard |
| Access Port | 1" vacuum port (KF-25) |
| Controls | Watlow PM9 Plus |
| Warranty | 2 Year Limited Warranty |
| Interior Construction | 300 series stainless steel |
| Exterior Construction | Painted Cold Roll Steel |
| Wall Clearance, Each Side | 6.0" (152 mm) |
| Wall Clearance, Rear | 12.0" (305 mm) |
| Vertical Clearance | 12.0" (305 mm) |
| Electrical, 50/60Hz, AC, 1Ø | |
| Voltage | 110V-120V |
| Full Load Amps | 13 |
| Nominal Power (watts @150°C) | 835 |
| Plug Supplied | NEMA 5-15P |
| Energy Consumption (kWh/day) | |
| At 80°C | 13.2 |
| At 150°C | 19.4 |
| At 220°C | 30.8 |
| Temperature Range 10°C above ambient to 220°C | |
| Heat-Up Time — Minutes to 80°C | 70 |
| Heat-Up Time — Minutes to 150°C | 120 |
| Heat-Up Time — Minutes to 220°C | 175 |
| Temperature Uniformity | +/- 6% of Set Point |
| Temperature Stability | +/- 0.25°C @ 150°C |
| Operational Vacuum Range | 720 to less than 20 mTorr @ 150°C |
| Vacuum Display Range | 1100 to 0.1 mTorr |
| Safety Certifications | UL 61010-1, EN 61010-1, CSA 61010-1, CE |

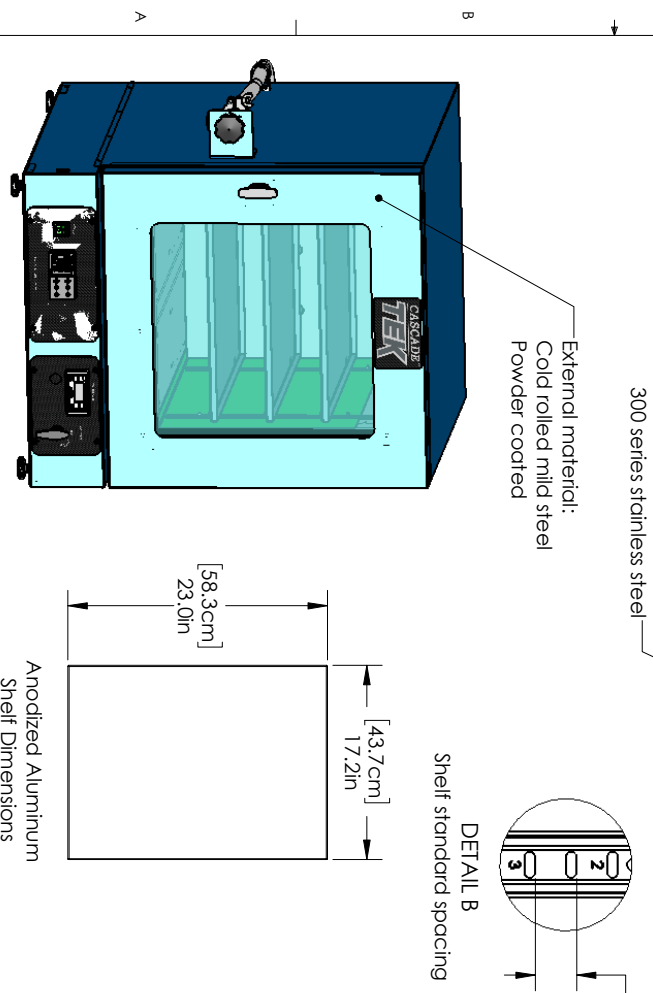
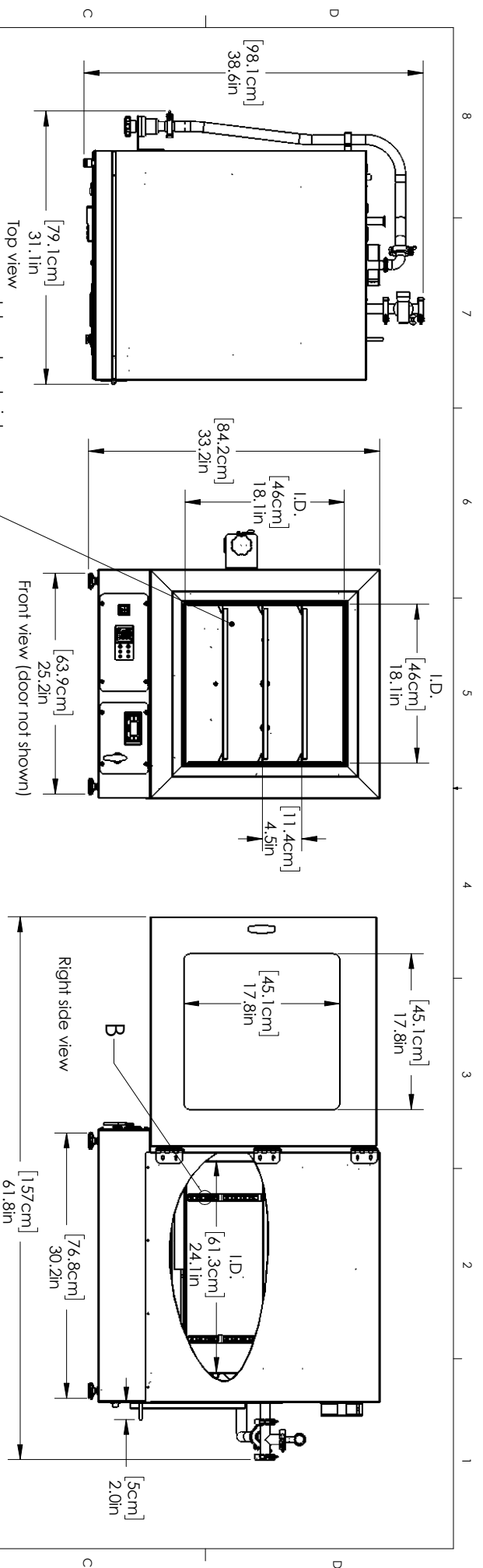


We reserve the right to alter specifications at any time

0740592 6/24

Contact Cascade TEK

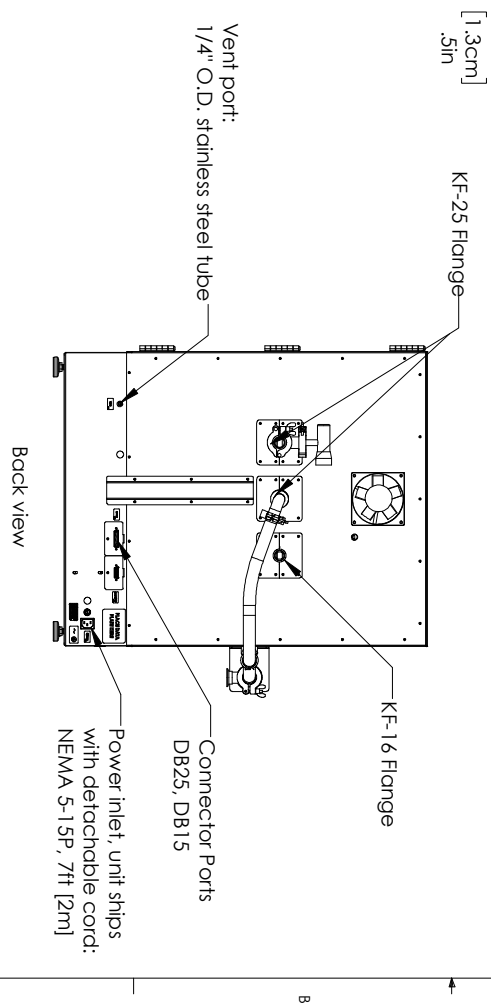
sales@cascadetek.com • cascadetek.com • +1-971-371-4096



CASCADE TEK
 Cascade TEK Solutions, LLC
 4001 East Plano Parkway, Ste 200
 Plano, TX 75074
www.cascadetek.com

| | | |
|-------|----------|-------------------------------------|
| NAME | DATE | MODEL: |
| DRAWN | 4/5/2017 | TVO-5-SV |
| RI | | SIZE DWG. NO. B 9100951 |
| | | SCALE: 1:1 WEIGHT: SHEET 1 OF 1 |

REVISIONS:
 REV



PROPRIETARY AND CONFIDENTIAL
 THE INFORMATION CONTAINED IN THIS DRAWING IS THE SOLE PROPERTY OF CASCADE TEK SOLUTIONS, LLC. NO PART OF THIS DRAWING IS TO BE REPRODUCED OR TRANSMITTED IN ANY FORM OR BY ANY MEANS, WITHOUT THE WRITTEN PERMISSION OF Cascade TEK SOLUTIONS, LLC.