

Forced Air Oven

TFO-10

PART ID: CTF1022-H



Capacity	10.6 cu.ft. (301 liters)
Interior Dimensions W x D x H	29.8" x 20.6" x 30.0" 757 x 525 x 762 mm
Exterior Dimensions W x D x H	44.1" x 29.9" x 56.8" 1121 x 760 x 1442 mm
Unit Weight	357 lb (163 kg)
Shipping Weight	450 lb (204 kg)
Shelves	3 standard, 8 Max
Maximum Weight Per Shelf	75 lb / 34 kg
Permitted Total Load	225 lb / 102 kg
Standard Door Gasket	Woven Fiberglass
Access Port	3" Rear
Controls	Watlow EZ-ZONE
Warranty	2 Year Limited Warranty
Interior Construction	300 series stainless steel
Exterior Construction	20 gauge steel, powder coated
Vertical Clearance	24.0" (600 mm)
Wall Clearance, Each Side	6.0" (152 mm)
Wall Clearance, Rear	12.0" (300 mm)
Electrical, 50/60Hz, AC, 1Ø	
Voltage	220V-240V
Full Load Amps	26
Nominal Power (watts @150°C)	3528
Direct Hardwire	✓
Energy Consumption (kWh/day)	
At 80°C	47.9
At 150°C	82.1
At 306°C	130
Temperature Range 15°C above ambient to 306°C	
Heat-Up Time — Minutes to 80°C	6
Heat-Up Time — Minutes to 150°C	14
Heat-Up Time — Minutes to 306°C	31
Recovery after Door Opening (30 sec.) — Minutes to 80°C	3.0
Recovery after Door Opening (30 sec.) — Minutes to 150°C	3.0
Recovery after Door Opening (30 sec.) — Minutes to 306°C	5.0
Recovery after Door Opening (60 sec.) — Minutes to 80°C	5.0
Recovery after Door Opening (60 sec.) — Minutes to 150°C	5.5
Recovery after Door Opening (60 sec.) — Minutes to 306°C	10
Temperature Uniformity	
At 80°C	1.5
At 150°C	2.5
At 306°C	5.5
Air Flow Performance	
Air Changes Per Hr at Max	304
Flow Rate (CFM)	51



MADE IN
USA



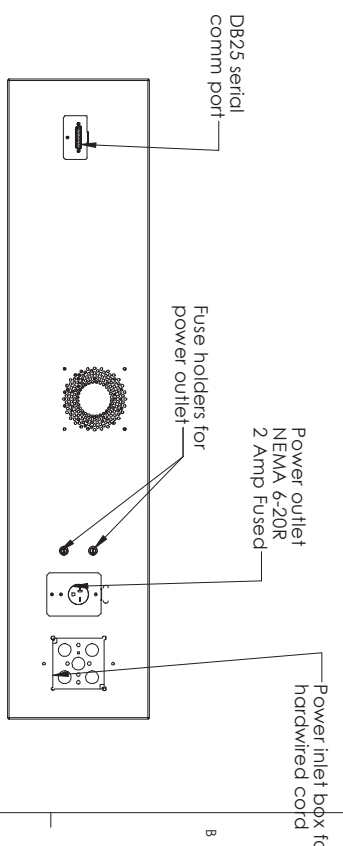
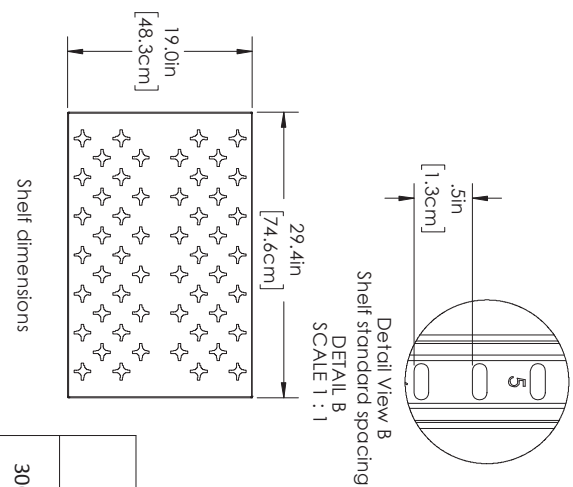
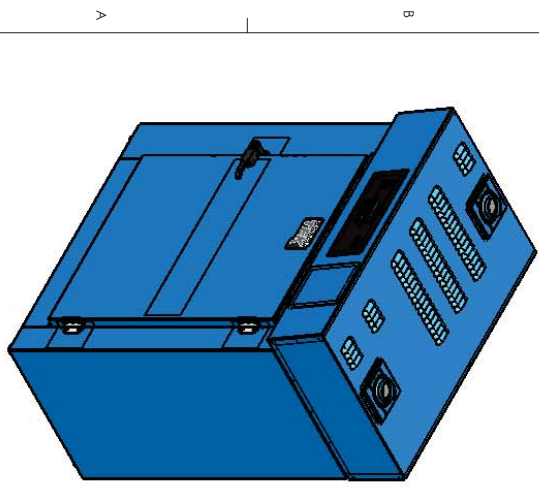
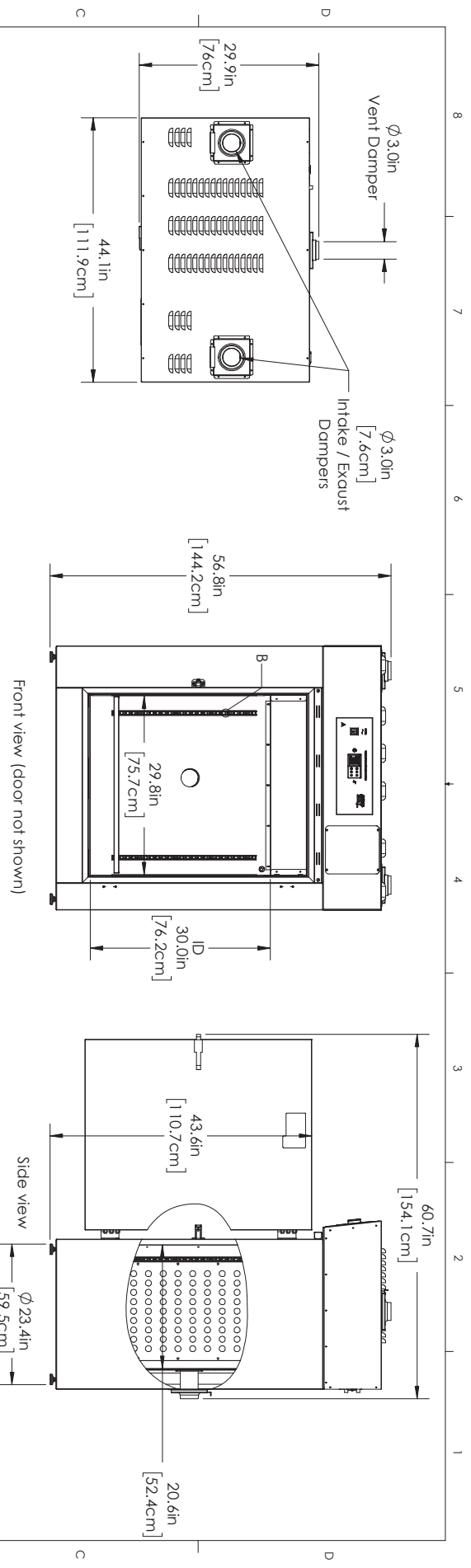
C US



0740579 11/20

Contact Cascade TEK

sales@cascadetek.com • cascadetek.com • +1-971-371-4096



		Cascade TEK Solutions, LLC 300 N 26th Ave. Cornelius, OR 97113 www.cascadetek.com	
PROPRIETARY AND CONFIDENTIAL	THE INFORMATION CONTAINED IN THIS DRAWING IS THE PROPERTY OF CASCADE TEK SOLUTIONS, LLC. ANY REPRODUCTION OR TRANSMISSION IN ANY FORM OR BY ANY MEANS WITHOUT THE WRITTEN PERMISSION OF CASCADE TEK SOLUTIONS, LLC IS PROHIBITED.	DATE:	7/9/08
NAME:		MODEL:	
SIZE:	DWG. NO. 9071466	SCALE:	1:48
REV:		WEIGHT:	
		SHEET 1 OF 1	