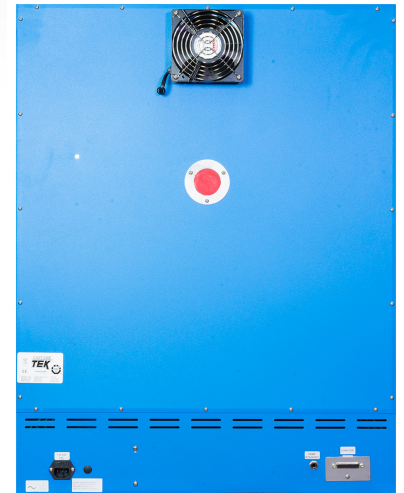


Forced Air Oven

TFO-3
PART ID: CTF322



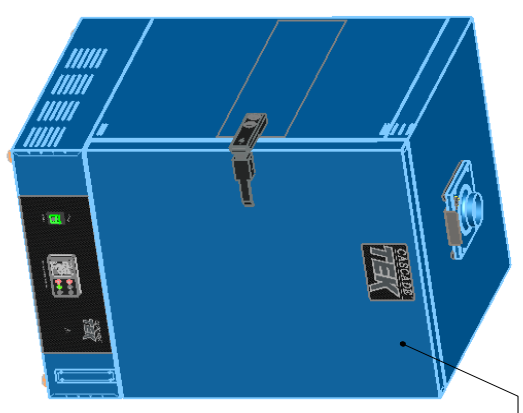
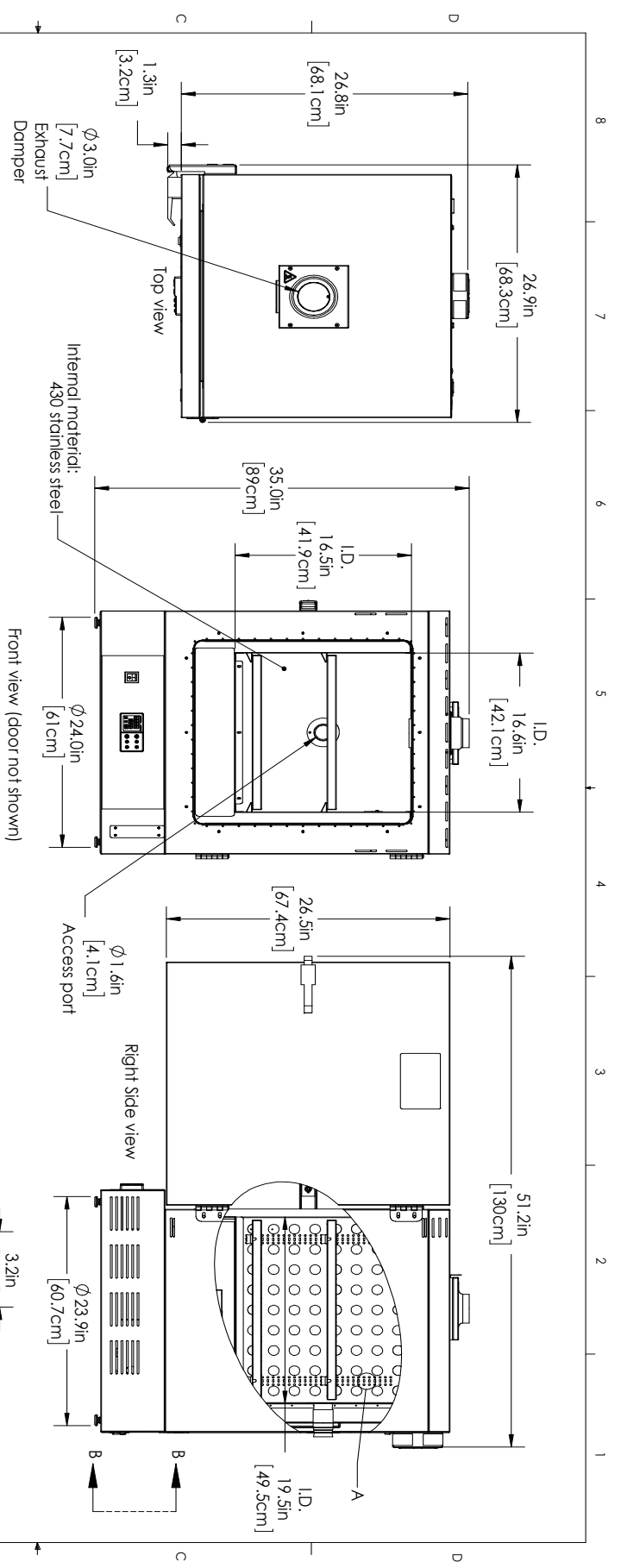
Capacity	3 cu.ft. (85 liters)
Interior Dimensions W x D x H	16.5" x 19.5" x 16.2" 419 x 495 x 412 mm
Exterior Dimensions W x D x H	26.9" x 28.6" x 34.0" 684 x 727 x 840 mm
Unit Weight	170.5 lb (77.3 kg)
Shipping Weight	215.6 lb (97.8 kg)
Shelves	2 standard, 7 total
Maximum Weight Per Shelf	50 lb / 22.6 kg
Permitted Total Load	200 lb / 91 kg
Standard Door Gasket	Woven Fiberglass
Access Port	1.75" Rear
Controls	Watlow EZ-ZONE
Warranty	2 Year Limited Warranty
Interior Construction	300 series stainless steel
Exterior Construction	20 gauge steel, powder coated
Vertical Clearance	24.0" (600 mm)
Wall Clearance, Each Side	6.0" (152 mm)
Wall Clearance, Rear	12.0" (300 mm)
Electrical, 50/60Hz, AC, 1Ø	
Voltage	110V-120V
Full Load Amps	14
Nominal Power (watts @150°C)	675
Recommended Breaker, Amps	15
NEMA Plug Supplied	5-15P
Energy Consumption (kWh/day)	
At 80°C	7.2
At 150°C	13.1
At 306°C	23.5
Temperature Range 20°C above ambient to 306°C	
Heat-Up Time — Minutes to 80°C	6
Heat-Up Time — Minutes to 150°C	27
Heat-Up Time — Minutes to 306°C	124
Recovery after Door Opening (30 sec.) — Minutes to 80°C	1.5
Recovery after Door Opening (30 sec.) — Minutes to 150°C	2
Recovery after Door Opening (30 sec.) — Minutes to 306°C	18
Recovery after Door Opening (60 sec.) — Minutes to 80°C	2
Recovery after Door Opening (60 sec.) — Minutes to 150°C	4.5
Recovery after Door Opening (60 sec.) — Minutes to 306°C	36
Temperature Uniformity	
At 80°C	1°C
At 150°C	1.8°C
At 306°C	5°C
Air Flow Performance	
Air Changes Per Hr at Max	225
Flow Rate (CFM)	11.3



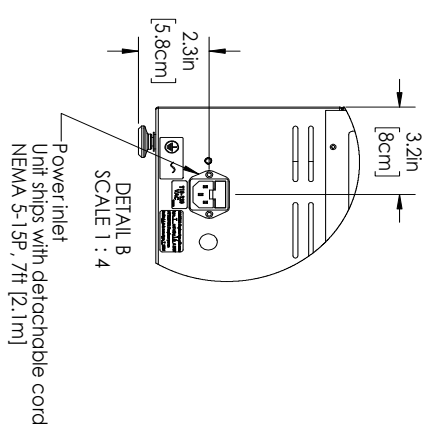
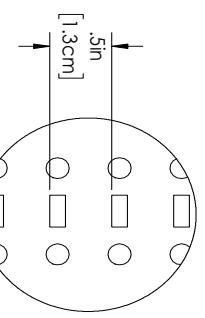
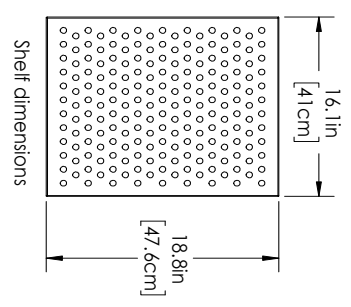
MADE IN
USA



0740575 6/22



External material:
Cold rolled mild steel
Powder coated



		Cascade TEK Solutions, LLC 4001 East Plano Parkway, Ste 200 Plano, TX 75074 www.cascadetek.com	
		DRAWN: 6FB DATE: 1/22/2017	NAME: GFB DATE: 1/22/2017
THE INFORMATION CONTAINED IN THIS DRAWING IS THE PROPERTY OF CASCADE TEK SOLUTIONS, LLC. ANY REPRODUCTION OR TRANSMISSION IN ANY FORM OR BY ANY MEANS WITHOUT THE WRITTEN PERMISSION OF CASCADE TEK SOLUTIONS, LLC IS PROHIBITED.		MODEL: OVEN, TFO-3, WATLOW, 115V	SIZE DWG. NO.: 9071476
SCALE: 1:10	WEIGHT:	SHEET 1 OF 1	REV